

DIECI



AGRI FARMER GD

28.7 | 28.9 | 30.7 | 30.9



dieci.com

PERFORMANCE

| | | | | |
|--|-----------------------|-----------------------|-----------------------|-----------------------|
| Vehicle model | AGRI FARMER 28.7 - GD | AGRI FARMER 30.7 - GD | AGRI FARMER 28.9 - GD | AGRI FARMER 30.9 - GD |
| Maximum capacity | 2900 kg (6393 lb) | 3000 kg (6614 lb) | 2900 kg (6393 lb) | 3000 kg (6614 lb) |
| Maximum lifting height | 6,35 m (20,8 ft) | 6,35 m (20,8 ft) | 8,65 m (28,4 ft) | 8,65 m (28,4 ft) |
| Maximum horizontal extension | 3,60 m (11,8 ft) | 3,60 m (11,8 ft) | 5,60 m (18,4 ft) | 5,60 m (18,4 ft) |
| Fork swiveling angle | 146° | 146° | 146° | 146° |
| Pull-out force | 5800 daN (13039 lbf) | 5800 daN (13039 lbf) | 5800 daN (13039 lbf) | 5800 daN (13039 lbf) |
| Towing force | 5800 daN (13039 lbf) | 5800 daN (13039 lbf) | 5800 daN (13039 lbf) | 5800 daN (13039 lbf) |
| Maximum climb angle | 40% | 40% | 40% | 40% |
| Unladen weight | 6500 kg (14330 lb) | 6500 kg (14330 lb) | 6680 kg (14727 lb) | 6680 kg (14727 lb) |
| Max speed (referred to wheels with maximum permitted diameter) | 40 km/h (24,9 mph) | 40 km/h (24,9 mph) | 40 km/h (24,9 mph) | 40 km/h (24,9 mph) |

BOOM

| | | | | |
|-------------------|-----------------------|-----------------------|-----------------------|-----------------------|
| Vehicle model | AGRI FARMER 28.7 - GD | AGRI FARMER 30.7 - GD | AGRI FARMER 28.9 - GD | AGRI FARMER 30.9 - GD |
| Lifting | 8,8 s | 8,8 s | 8,8 s | 8,8 s |
| Descent | 4,58 s | 4,58 s | 4,58 s | 4,58 s |
| Extension | 6,72 s | 6,72 s | 6,72 s | 6,72 s |
| Retraction | 3,74 s | 3,74 s | 3,74 s | 3,74 s |
| Forward swiveling | 2,38 s | 2,38 s | 2,38 s | 2,38 s |
| Reverse swiveling | 3,83 s | 3,83 s | 3,83 s | 3,83 s |

ENGINE

| | | | | |
|-------------------------------------|---|---|---|---|
| Vehicle model | AGRI FARMER 28.7 - GD | AGRI FARMER 30.7 - GD | AGRI FARMER 28.9 - GD | AGRI FARMER 30.9 - GD |
| Brand | Kubota | Kubota | Kubota | Kubota |
| Nominal power | 79,5 kW (107 HP) | 79,5 kW (107 HP) | 79,5 kW (107 HP) | 79,5 kW (107 HP) |
| @rpm | 2200 rpm | 2200 rpm | 2200 rpm | 2200 rpm |
| Operation | 4-stroke | 4-stroke | 4-stroke | 4-stroke |
| Injection | Electronic, Common Rail | Electronic, Common Rail | Electronic, Common Rail | Electronic, Common Rail |
| Number and arrangement of cylinders | 4, Vertical in line | 4, Vertical in line | 4, Vertical in line | 4, Vertical in line |
| Displacement | 3769 cm ³ (230 in ³) | 3769 cm ³ (230 in ³) | 3769 cm ³ (230 in ³) | 3769 cm ³ (230 in ³) |
| Consumption | 214 g/kWh (352,03 lb/Hp h) | 214 g/kWh (352,03 lb/Hp h) | 214 g/kWh (352,03 lb/Hp h) | 214 g/kWh (352,03 lb/Hp h) |
| @rpm | 2200 rpm | 2200 rpm | 2200 rpm | 2200 rpm |
| Emission standard | Stage IV/Tier 4f | Stage IV/Tier 4f | Stage IV/Tier 4f | Stage IV/Tier 4f |
| Exhaust gas treatment | DOC+DPF+SCR | DOC+DPF+SCR | DOC+DPF+SCR | DOC+DPF+SCR |
| Cooling system | Liquid | Liquid | Liquid | Liquid |
| Intake | Turbocharger after-cooler | Turbocharger after-cooler | Turbocharger after-cooler | Turbocharger after-cooler |

DIFFERENTIAL AXLES

| | | | | |
|------------------|---|---|---|---|
| Vehicle model | AGRI FARMER 28.7 - GD | AGRI FARMER 30.7 - GD | AGRI FARMER 28.9 - GD | AGRI FARMER 30.9 - GD |
| Type of axles | 2 steering, with 4 epicycloidal reduction gears | 2 steering, with 4 epicycloidal reduction gears | 2 steering, with 4 epicycloidal reduction gears | 2 steering, with 4 epicycloidal reduction gears |
| Type of steering | 4 wheels / transversal / 2 wheels | 4 wheels / transversal / 2 wheels | 4 wheels / transversal / 2 wheels | 4 wheels / transversal / 2 wheels |
| Front axle | Rigid | Rigid | Rigid | Rigid |
| Rear axle | Swinging | Swinging | Swinging | Swinging |
| Service braking | Oil bath with servo brake on front and rear axle with double hydraulic system | Oil bath with servo brake on front and rear axle with double hydraulic system | Oil bath with servo brake on front and rear axle with double hydraulic system | Oil bath with servo brake on front and rear axle with double hydraulic system |
| Parking braking | Negative actuation with electronic control | Negative actuation with electronic control | Negative actuation with electronic control | Negative actuation with electronic control |

HYDRAULIC SYSTEM

| | | | | |
|-------------------------|--|--|--|--|
| Vehicle model | AGRI FARMER 28.7 - GD | AGRI FARMER 30.7 - GD | AGRI FARMER 28.9 - GD | AGRI FARMER 30.9 - GD |
| Hydraulic pump type | Gear pump for power steering and movements | Gear pump for power steering and movements | Gear pump for power steering and movements | Gear pump for power steering and movements |
| Hydraulic pump capacity | 100 L/min (26,4 gal/min) | 100 L/min (26,4 gal/min) | 100 L/min (26,4 gal/min) | 100 L/min (26,4 gal/min) |
| Max. operating pressure | 24,5 MPa (3553 psi) | 24,5 MPa (3553 psi) | 24,5 MPa (3553 psi) | 24,5 MPa (3553 psi) |
| Distributor control | Proportional 4in1 Joystick with FNR | Proportional 4in1 Joystick with FNR | Proportional 4in1 Joystick with FNR | Proportional 4in1 Joystick with FNR |

REFUELING

| | | | | |
|--------------------------|-----------------------|-----------------------|-----------------------|-----------------------|
| Vehicle model | AGRI FARMER 28.7 - GD | AGRI FARMER 30.7 - GD | AGRI FARMER 28.9 - GD | AGRI FARMER 30.9 - GD |
| Hydraulic system (total) | 140,0 L (36,98 gal) | 140,0 L (36,98 gal) | 140,0 L (36,98 gal) | 140,0 L (36,98 gal) |
| Fuel tank | 100,0 L (26,42 gal) | 100,0 L (26,42 gal) | 100,0 L (26,42 gal) | 100,0 L (26,42 gal) |
| AdBlue tank | 20,0 L (5,28 gal) | 20,0 L (5,28 gal) | 20,0 L (5,28 gal) | 20,0 L (5,28 gal) |

TRANSMISSION

| | | | | |
|----------------------|--|--|--|--|
| Vehicle model | AGRI FARMER 28.7 - GD | AGRI FARMER 30.7 - GD | AGRI FARMER 28.9 - GD | AGRI FARMER 30.9 - GD |
| Transmission type | Hydrostatic with electronic control with variable displacement pump and ECO function | Hydrostatic with electronic control with variable displacement pump and ECO function | Hydrostatic with electronic control with variable displacement pump and ECO function | Hydrostatic with electronic control with variable displacement pump and ECO function |
| Hydraulic motor | Hydrostatic with continuous automatic adjustment | Hydrostatic with continuous automatic adjustment | Hydrostatic with continuous automatic adjustment | Hydrostatic with continuous automatic adjustment |
| Reversal | With electronic control operated with vehicle in motion | With electronic control operated with vehicle in motion | With electronic control operated with vehicle in motion | With electronic control operated with vehicle in motion |
| Inching | With electronic pedal for controlled forward movement | With electronic pedal for controlled forward movement | With electronic pedal for controlled forward movement | With electronic pedal for controlled forward movement |
| Transmission gearbox | Servo-controlled 2-speed | Servo-controlled 2-speed | Servo-controlled 2-speed | Servo-controlled 2-speed |

TOWING CAPACITY (upon request)

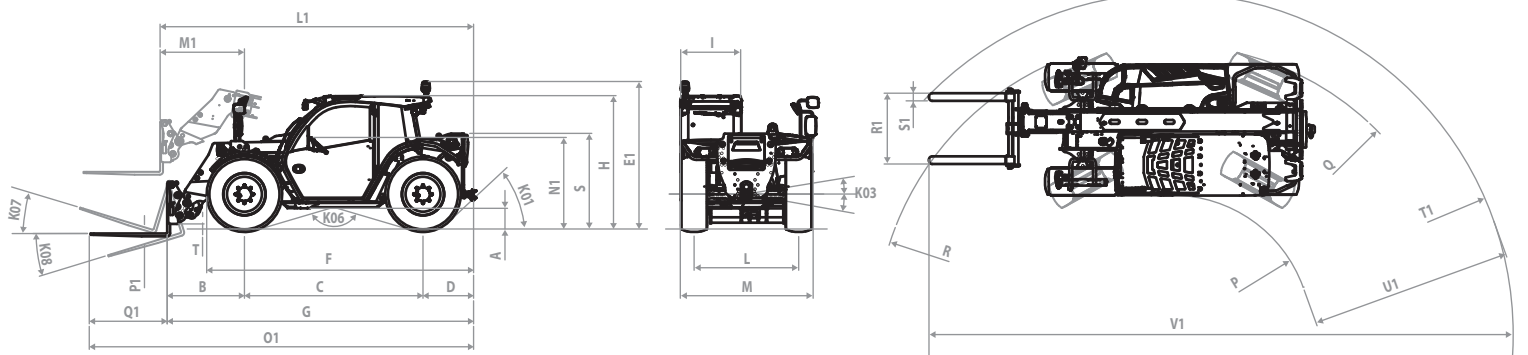
| Vehicle model | AGRI FARMER 28.7 - GD | AGRI FARMER 30.7 - GD | AGRI FARMER 28.9 - GD | AGRI FARMER 30.9 - GD |
|-----------------------------|-----------------------|-----------------------|-----------------------|-----------------------|
| Unbraked trailer | 3500 kg (7716 lb) | 3500 kg (7716 lb) | 3500 kg (7716 lb) | 3500 kg (7716 lb) |
| Inertia braking | 8000 kg (17637 lb) | 8000 kg (17637 lb) | 8000 kg (17637 lb) | 8000 kg (17637 lb) |
| Mechanical braking | 6000 kg (13228 lb) | 6000 kg (13228 lb) | 6000 kg (13228 lb) | 6000 kg (13228 lb) |
| Hydraulic/pneumatic braking | 17000 kg (37479 lb) | 17000 kg (37479 lb) | 17000 kg (37479 lb) | 17000 kg (37479 lb) |

TIRES

| Vehicle model | AGRI FARMER 28.7 - GD | AGRI FARMER 30.7 - GD | AGRI FARMER 28.9 - GD | AGRI FARMER 30.9 - GD |
|----------------|---|---|---|---|
| Standard tires | 400/70x20" | 400/70x20" | 400/70x20" | 400/70x20" |
| Optional tires | 18-19.5";420/75R20"; 400/70x24"; 12,5x18" | 18-19.5";420/75R20"; 400/70x24"; 12,5x18" | 18-19.5";420/75R20"; 400/70x24"; 12,5x18" | 18-19.5";420/75R20"; 400/70x24"; 12,5x18" |

DIMENSIONS

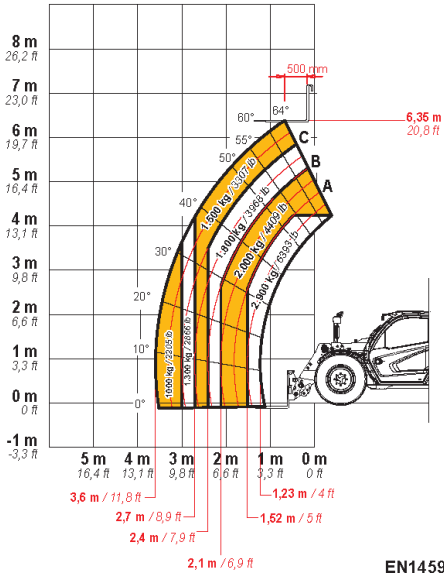
| Vehicle model | AGRI FARMER 28.7 - GD | AGRI FARMER 30.7 - GD | AGRI FARMER 28.9 - GD | AGRI FARMER 30.9 - GD |
|---------------|-----------------------|-----------------------|-----------------------|-----------------------|
| A | 275 mm (10,8 in) | 325 mm (12,8 in) | 275 mm (10,8 in) | 325 mm (12,8 in) |
| B | 1211 mm (47,7 in) | 1211 mm (47,7 in) | 1247 mm (49,1 in) | 1247 mm (49,1 in) |
| C | 2800 mm (110,2 in) | 2800 mm (110,2 in) | 2800 mm (110,2 in) | 2800 mm (110,2 in) |
| D | 813 mm (32 in) | 813 mm (32 in) | 813 mm (32 in) | 813 mm (32 in) |
| E1 | 2260 mm (89 in) | 2430 mm (95,7 in) | 2260 mm (89 in) | 2430 mm (95,7 in) |
| F | 4155 mm (163,6 in) | 4155 mm (163,6 in) | 4155 mm (163,6 in) | 4155 mm (163,6 in) |
| G | 4824 mm (189,9 in) | 4859 mm (191,3 in) | 4824 mm (189,9 in) | 4859 mm (191,3 in) |
| H | 2040 mm (80,3 in) | 2210 mm (87 in) | 2040 mm (80,3 in) | 2210 mm (87 in) |
| I | 965 mm (38 in) | 965 mm (38 in) | 965 mm (38 in) | 965 mm (38 in) |
| K01 | 42° | 42° | 42° | 42° |
| K03 | 8° | 8° | 8° | 8° |
| K06 | 147° | 147° | 147° | 147° |
| K07 | 18° | 18° | 22° | 22° |
| K08 | 129° | 129° | 124° | 124° |
| L | 1640 mm (64,6 in) | 1640 mm (64,6 in) | 1640 mm (64,6 in) | 1640 mm (64,6 in) |
| L1 | 4935 mm (194,3 in) | 4935 mm (194,3 in) | 4970 mm (195,7 in) | 4970 mm (195,7 in) |
| M | 2050 mm (80,7 in) | 2050 mm (80,7 in) | 2050 mm (80,7 in) | 2050 mm (80,7 in) |
| M1 | 1322 mm (52 in) | 1324 mm (52,1 in) | 1358 mm (53,5 in) | 1358 mm (53,5 in) |
| N1 | 1385 mm (54,5 in) | 1555 mm (61,2 in) | 1385 mm (54,5 in) | 1555 mm (61,2 in) |
| O1 | 6023 mm (237,1 in) | 6023 mm (237,1 in) | 6060 mm (238,6 in) | 6060 mm (238,6 in) |
| P | 1807 mm (71,1 in) | 1807 mm (71,1 in) | 1807 mm (71,1 in) | 1807 mm (71,1 in) |
| P1 | 45 mm (1,8 in) | 45 mm (1,8 in) | 45 mm (1,8 in) | 45 mm (1,8 in) |
| Q | 4168 mm (164,1 in) | 4168 mm (164,1 in) | 4168 mm (164,1 in) | 4168 mm (164,1 in) |
| Q1 | 1200 mm (47,2 in) | 1200 mm (47,2 in) | 1200 mm (47,2 in) | 1200 mm (47,2 in) |
| R | 4311 mm (169,7 in) | 4311 mm (169,7 in) | 4311 mm (169,7 in) | 4311 mm (169,7 in) |
| R1 | 1110 mm (43,7 in) | 1110 mm (43,7 in) | 1110 mm (43,7 in) | 1110 mm (43,7 in) |
| S | 1445 mm (56,9 in) | 1445 mm (56,9 in) | 1445 mm (56,9 in) | 1445 mm (56,9 in) |
| S1 | 120 mm (4,7 in) | 120 mm (4,7 in) | 120 mm (4,7 in) | 120 mm (4,7 in) |
| T | 80 mm (3,1 in) | 80 mm (3,1 in) | 160 mm (6,3 in) | 160 mm (6,3 in) |
| T1 | 5090 mm (200,4 in) | 5090 mm (200,4 in) | 5116 mm (201,4 in) | 5116 mm (201,4 in) |
| U1 | 3289 mm (129,5 in) | 3289 mm (129,5 in) | 3316 mm (130,6 in) | 3316 mm (130,6 in) |
| V1 | 8900 mm (350,4 in) | 8900 mm (350,4 in) | 8962 mm (352,8 in) | 8962 mm (352,8 in) |



MAX
2900 kg / 6393 lb



DOC10000821



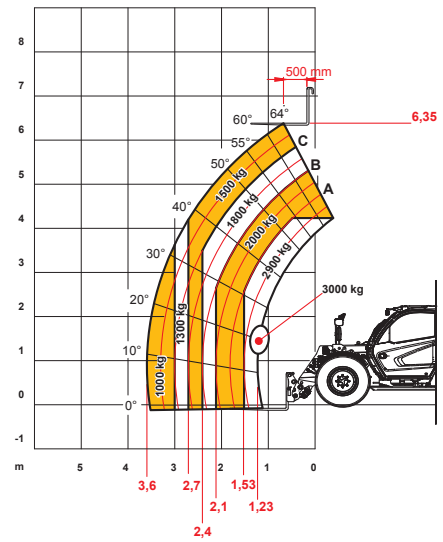
EN1459 Annex-B

28.7

MAX
3000 kg / 6614 lb



DOC10000877



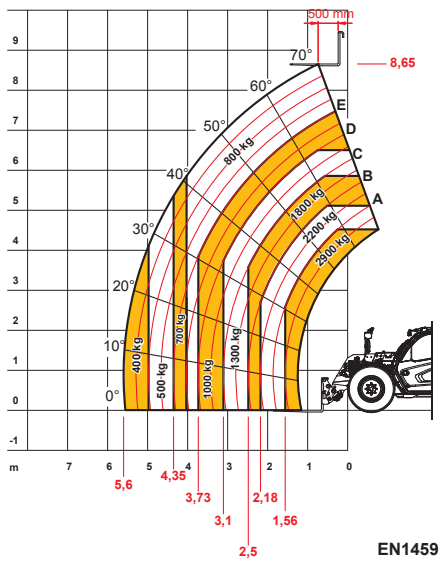
EN1459 Annex-B

30.7

MAX
2900 kg / 6393 lb



DOC10000878



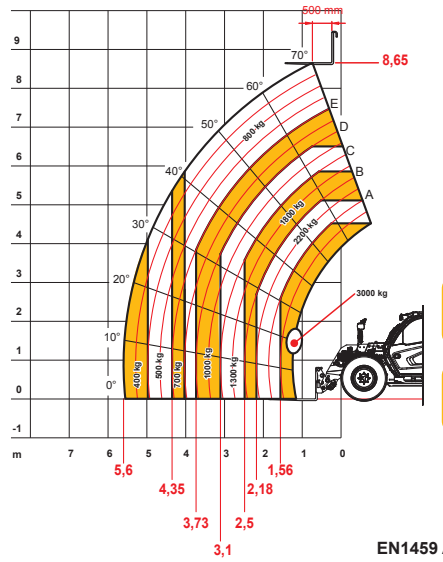
EN1459 Annex-B

28.9

MAX
3000 kg / 6614 lb



DOC10000876



EN1459 Annex-B

30.9